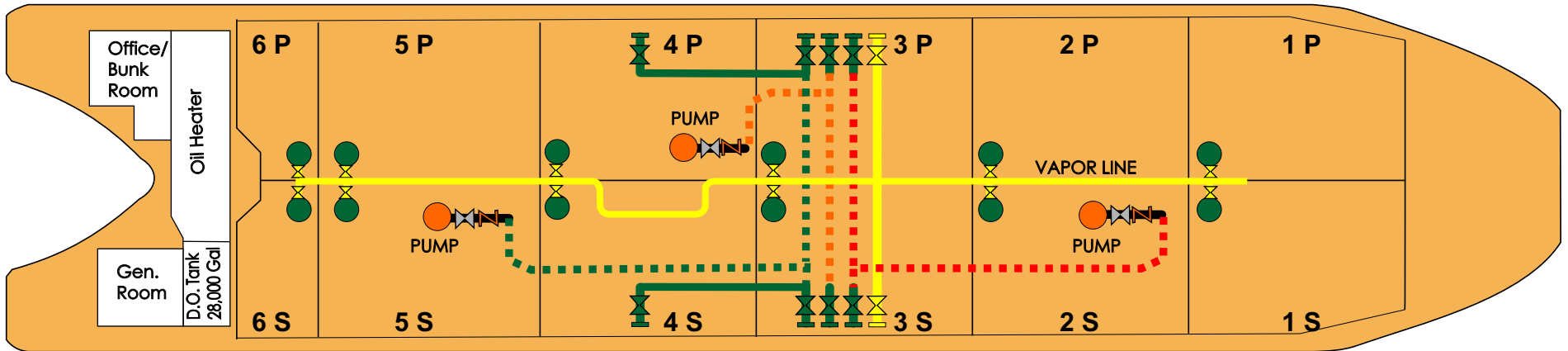


# PENN 120 Cargo Piping



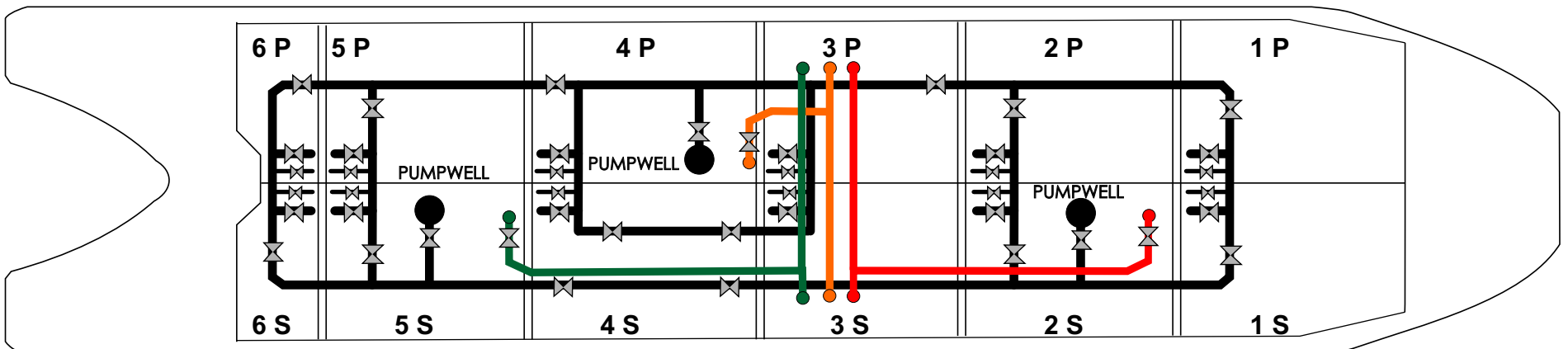
Above Deck Piping



425'3" X 72'7" X 41'  
 OPA 90 DOUBLE HULL BARGE  
 YEAR BUILT : 2002  
 OFFICIAL No.1134602  
 IMO # 1518341  
 GROSS TONS: 7320 GRT  
 GROSS TONS: 9424 ITC  
 PUMPS - 3 DEEPWELLS

CAPACITY - 118,988.48 BARRELS  
@ 96% (Approx)

1 PORT - 7630.54	1 STARB - 7620.83
2 PORT - 10620.64	2 STARB - 10562.31
3 PORT - 10639.39	3 STARB - 10611.28
4 PORT - 10552.59	4 STARB - 10618.48
5 PORT - 10617.79	5 STARB - 10556.65
6 PORT - 9494.32	6 STARB - 9463.66



Below Deck Piping