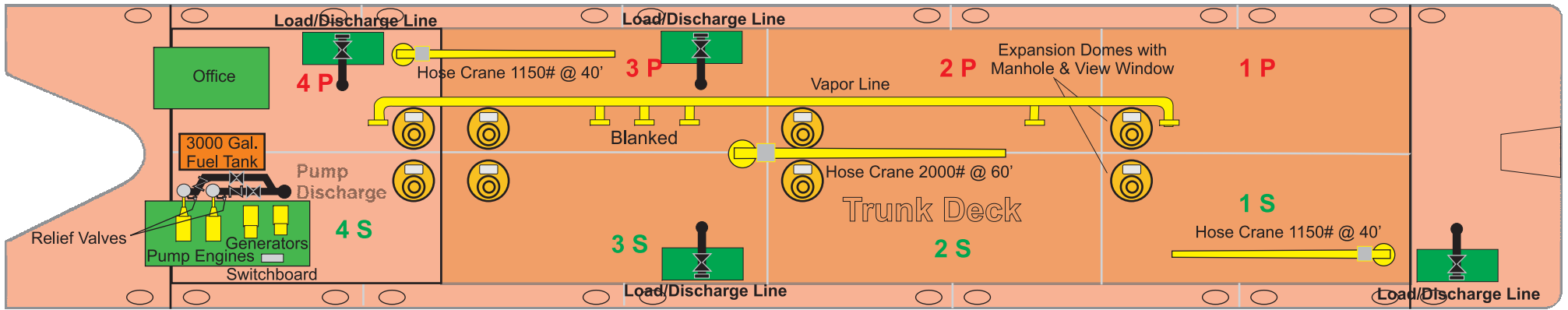


# Number Two



272' X 54' X 12'  
 Double Hull Barge  
 YEAR BUILT : 1991  
 Nashville Bridge Hull 4024  
 OFFICIAL No. 978128  
 GROSS TONS: 1480  
 PUMPS - Deepwell  
 2,100 GPM each

CAPACITY - 20,127 BARRELS @100%

1 PORT - 2,782.57	1 STARB - 2,780.02
2 PORT - 2,686.69	2 STARB - 2,680.69
3 PORT - 2,676.45	3 STARB - 2,676.45
4 PORT - 1,926.30	4 STARB - 1,918.50

