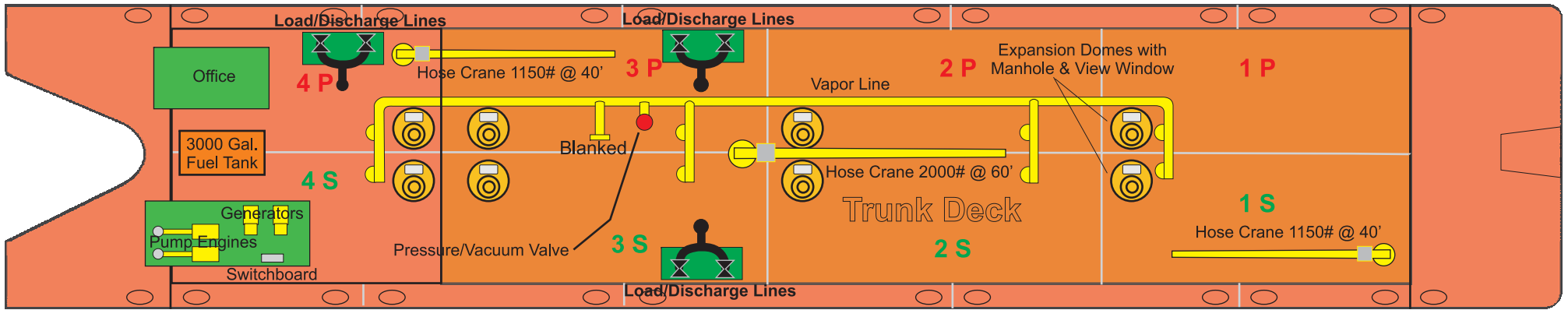


Number One



272' X 54' X 12'
 Double Hull Barge
 YEAR BUILT : 1991
 Nashville Bridge Hull 4023
 OFFICIAL No. 978127
 GROSS TONS: 1480
 PUMPS - Crane Deming
 4,000 GPM each

CAPACITY - 20,113 BARRELS @100%

1 PORT - 2,780.02	1 STARB - 2,778.21
2 PORT - 2,665.88	2 STARB - 2,671.47
3 PORT - 2,670.02	3 STARB - 2,678.71
4 PORT - 1,924.61	4 STARB - 1,944.07

