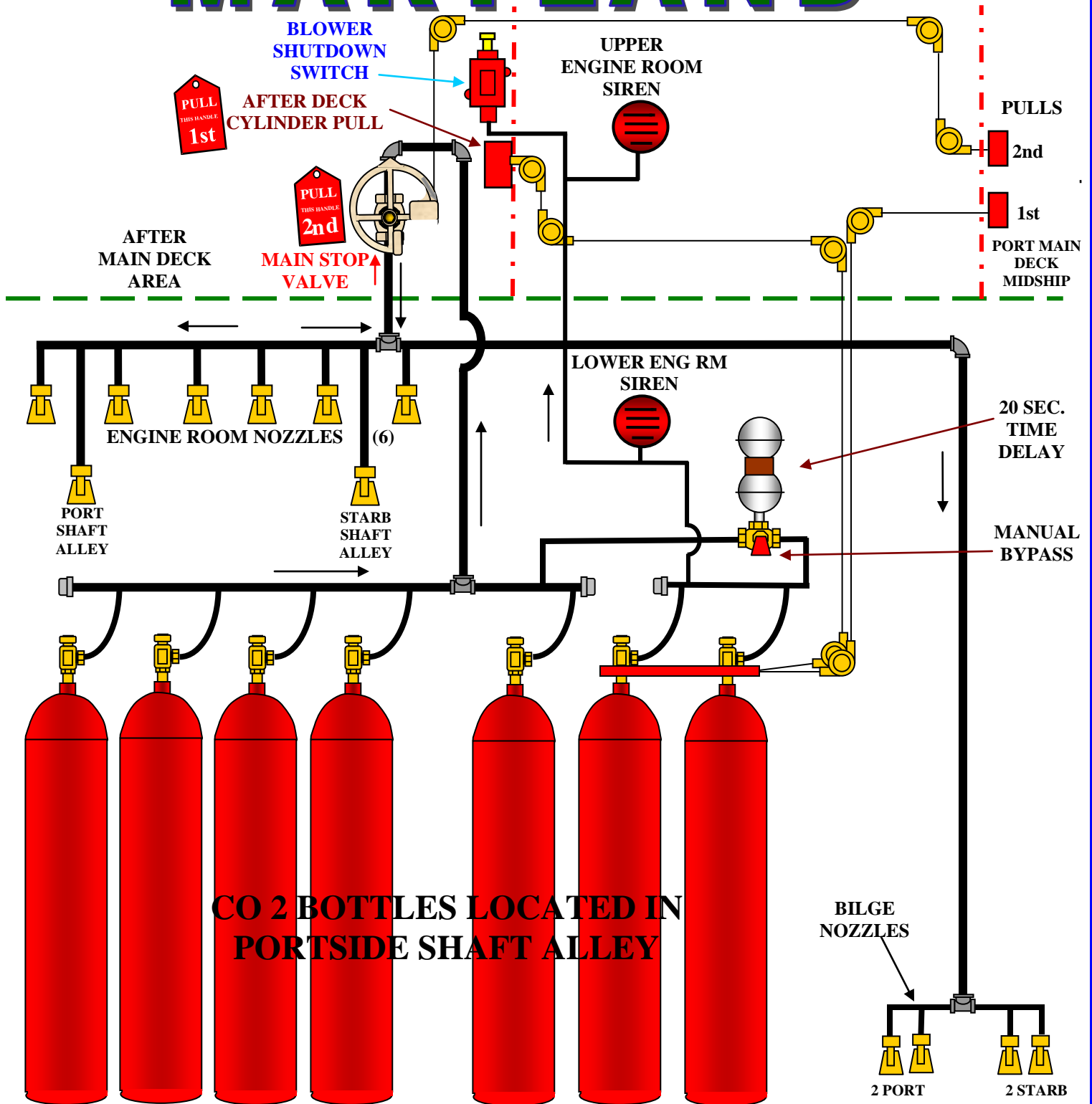


MARYLAND



CO 2 BOTTLES LOCATED IN PORTSIDE SHAFT ALLEY



ENGINE ROOM CO 2 FLOODING SYSTEM