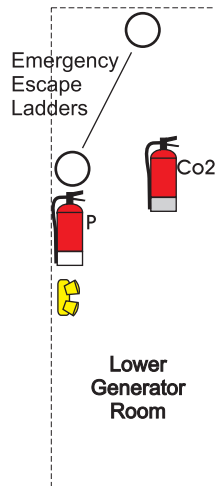
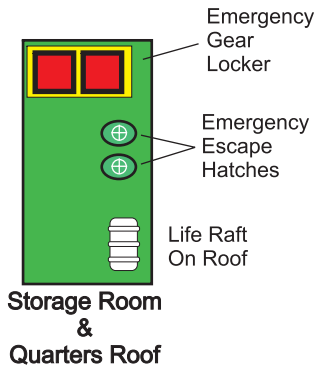
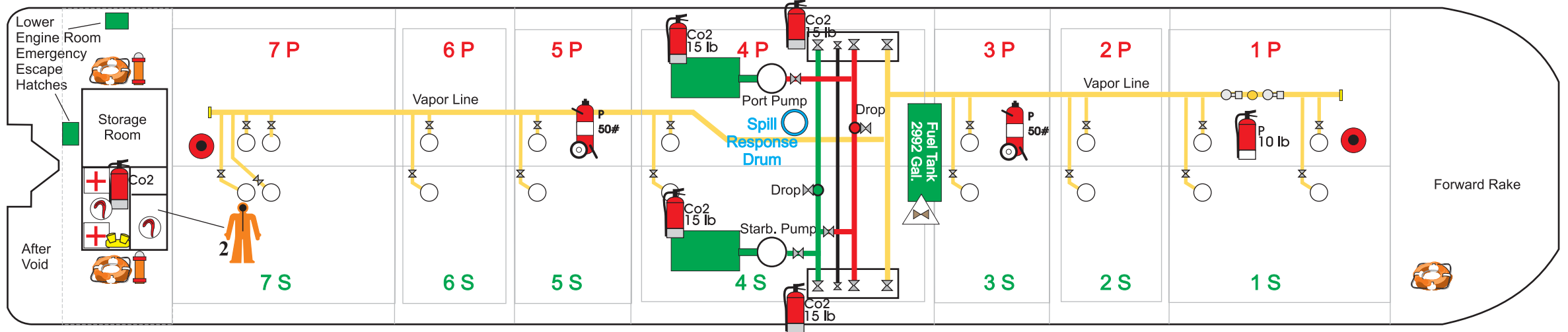


DBL 53 FIRE PLAN



- Smoke Alarm
- Co2 Extinguisher
- First Aid Kit +
- Dry Chem Extinguisher
- 50# B-V Dry Chemical Extinguisher
- Life Ring & Life Ring w/Light
- Fuel Shut-off
- Survival Suit
- Emergency Lights
- Firemen's Outfit
- Emergency Shutdown



K-SEA
K-Sea Transportation Inc.

340' X 68' X 22'
OPA 90 Double Hull Barge
 YEAR BUILT : Dec. 1965
 OFFICIAL No. 500121
 GROSS TONS: 4543
 HULL Number 232
 IMO No. 1519400

CAPACITY - BARRELS

1 PORT -	1 STARB -
2 PORT -	2 STARB -
3 PORT -	3 STARB -
4 PORT -	4 STARB -