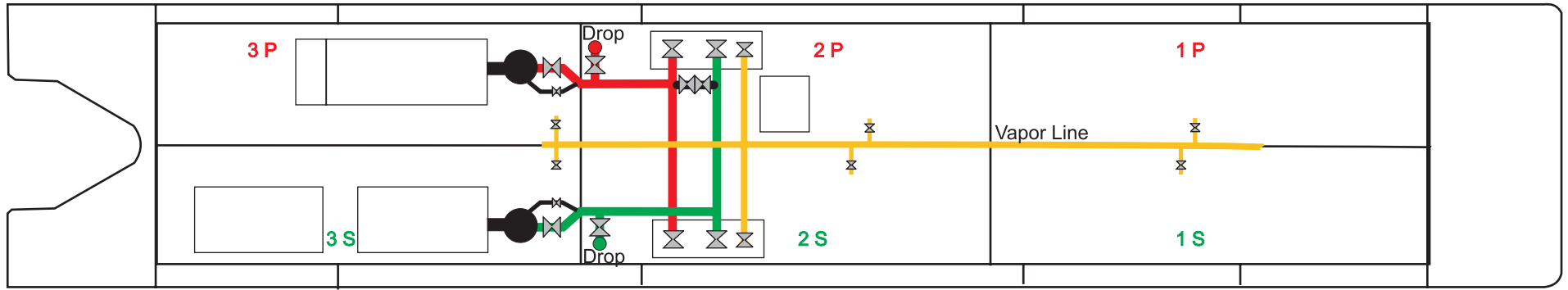


DBL 27



297'6" X 54' X 13'
 Double Hull Barge
 Year Built : 2006
 Bollinger Hull 507
 Official No. 1193988
 Gross Tons: 1754
 Pumps - 2 Deepwells

CAPACITY - 28,000 BARRELS @100%

| | |
|------------------|-------------------|
| 1 PORT - 4,942.2 | 1 STARB - 4,942.2 |
| 2 PORT - 4,566.9 | 2 STARB - 4,566.9 |
| 3 PORT - 4,760.7 | 3 STARB - 4,760.7 |

Loaded Draft 11.9'

