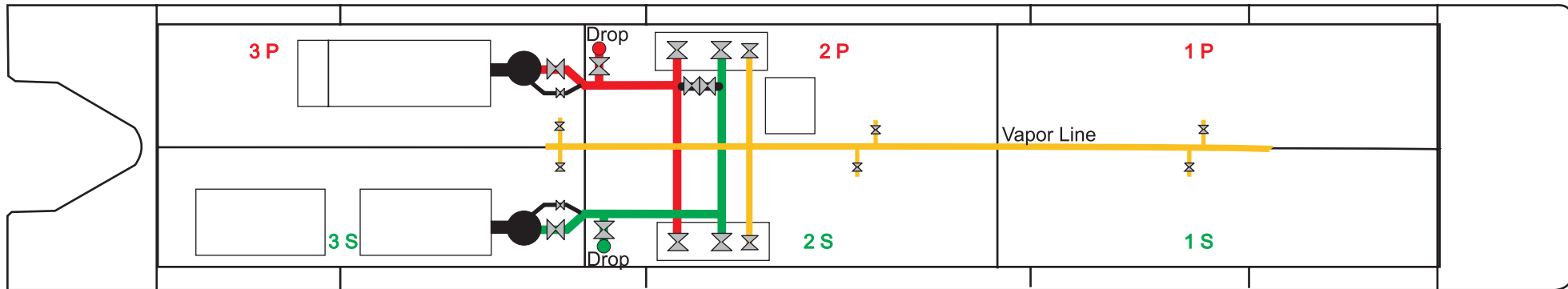


# DBL 22



297'6" X 54' X 13'  
 Double Hull Barge  
 Year Built : 200\_  
 Bollinger Hull \_\_\_  
 Official No. \_\_\_  
 Gross Tons: 1754  
 Pumps - 2 Deepwells

CAPACITY - 28,000 BARRELS @100%

1 PORT - 4,850.4      1 STARB - 4,850.4  
 2 PORT - 4,486.2      2 STARB - 4,486.2  
 3 PORT - 4,697.1      3 STARB - 4,697.1

Loaded Draft 11.9'

