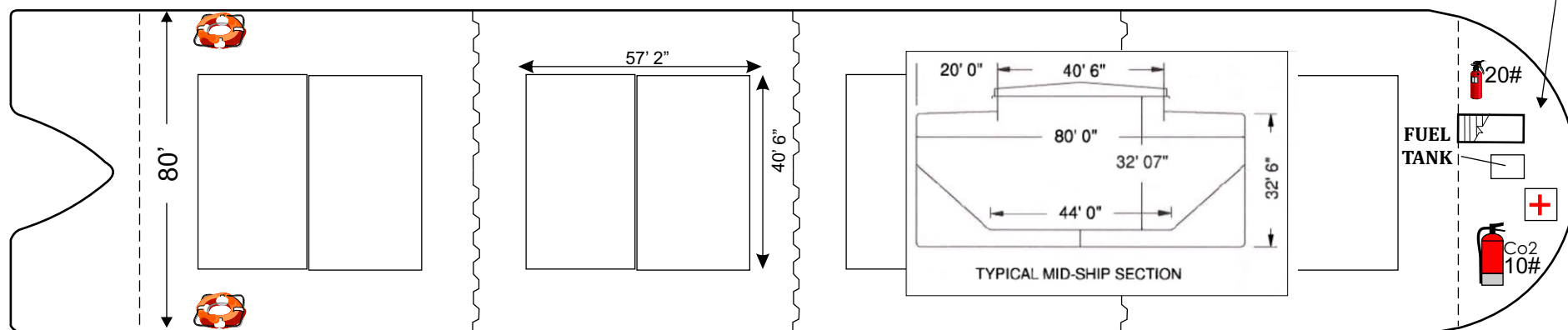
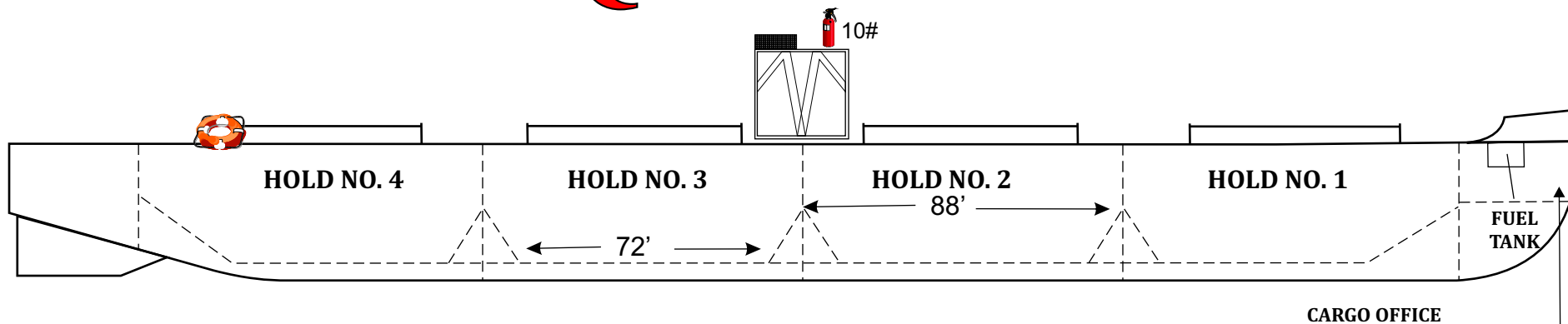






# ATC 1800

## FIRE & EQUIPMENT PLAN



-  ABC Extinguisher
-  Co2 Extinguisher
-  First Aid Kit
-  Life Ring



PRINCIPAL CHARACTERISTICS	
LENGTH	430" 0"
BREADTH	80" 00"
DEPTH AT SIDE	32' 06"
LOADED DRAFT	23'-05'
LIGHT DRAFT	4'-08'
DEADWEIGHT (SHORT TONS)	18,200
CLEAR HATCH OPENING 1&4	40'-06"x56'-02"
CLEAR HATCH OPENING 2&3	40'-06"x57'-02"
FUEL CAPACITY (GALLONS)	495
GROSS TONNAGE (ITC)	8,888
NET TONNAGE (ITC)	4,777
OFFICIAL NUMBER	502087
IMO NUMBER	1502108

HOLD	MOLDED VOLUME 100% FULL	GRAIN CUBICS UNTRIMMED
1	172832	164190
2	178425	169504
3	178425	169504
4	172058	163455
TOTAL	701740	666653